

# sunlite®

## INSTALLATION INSTRUCTIONS

LED SCT Vanity Fixture | 18", 24", 36", 48"



CAN BE USED TO COMPLY WITH 2019 TITLE 24 PART 6 HIGH EFFICACY LED LIGHT SOURCE REQUIREMENTS  
DIMMABLE 10-100%\*

**Please read and understand this entire manual before attempting to assemble, operate or install the product.**

**WARNINGS & CAUTIONS:** Risk of fire or electric shock, avoid fire or electric shock. Turn off the power at fuse or circuit breaker box before installation and maintenance to avoid electric shock. Before installation thoroughly review enclosed installation manual. Use for 120-277 Volt fused circuits. This product must be installed in accordance with the applicable installation code by a person familiar with the construction and operation of the product and the hazards involved. If you do not have sufficient electrical wiring experience, please consult a qualified electrician. Consult a qualified electrician to ensure correct branch circuit conductor. Do not make or alter any open holes in an enclosure of wiring or electrical components during installation. If the product is damaged, do not attempt installation and do not use. Not for emergency lighting. Operating temperature -20°C - 40°C (-4°F - 104°F). Suitable for damp locations.

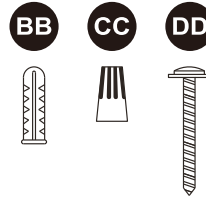
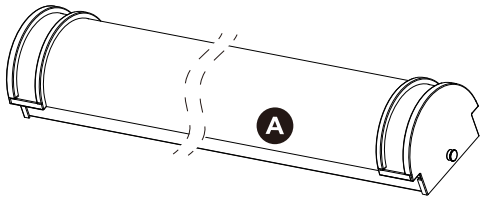


\*The lamp may not be compatible with all dimmers. Go to [www.Sunlite.com/Dimmers](http://www.Sunlite.com/Dimmers) to find dimmer compatibility information.

**AVERTISSEMENT** – Risque d'incendie ou de choc électrique. Ce produit doit être installé selon le code d'installation pertinent, par une personne qui connaît bien le produit et son fonctionnement ainsi que les risques inhérents. Consulter un électricien qualifié pour vous assurer que les conducteurs de la dérivation sont adéquats. Convient aux emplacements humides. Peut être utilisé à une température ambiante n'excédant pas 40°C. Les fils d'alimentation 90°C min. Cet appareil n'est pas destiné à être utilisé dans les issues de secours.

Retain these instructions for future reference.

v2022



Part	Item Name	Qty.
A	4' LED Wraparound fixture	1
BB	Drywall Anchors	2
CC	Wire Nuts	5
DD	4x40MM Screws	4

## Installation

### 1. Preparing for installation

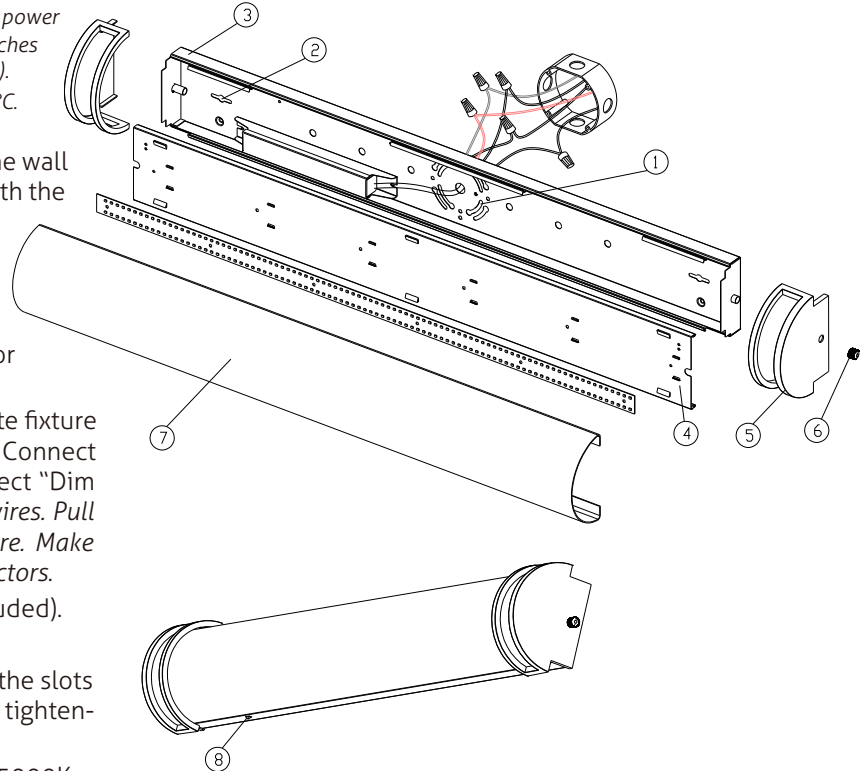
- Disconnect electrical power at fuse or circuit breaker box before installing or servicing any part of this fixture.
- Carefully remove the fixture from the carton, and check that all parts are included, as shown in figure.

### 2. Mounting & Wiring (All wiring must take place inside junction box)

**CAUTION:** Make sure power is off at fuse or circuit breaker box. Check power wires for damage or scrapes. If power supply wires are within three inches of the ballast power supply, use wire suitable for at least 90°C (194°F).

**Note:** Most dwellings built before 1985 have supply wire rated to 60°C. Consult a qualified electrician before installing.

- Position the back plate mounting channel (1) against the wall covering the junction box (not included) and secure with the two screws included. Mark placement of mounting keyhole slots (2).
- Drill appropriate sized holes or install wall anchors (BB) to accept mounting screws.
- Connect the power source ground wire to the green or bare copper wire from the fixture assembly.
- Using wire nuts (CC), connect white supply wire to white fixture lead. Connect black supply wire to black fixture lead. Connect "Dim 0-10V" supply wire to purple fixture lead. Connect "Dim ground" supply wire to grey fixture lead. *Do not mix wires. Pull on each wire lead to make sure connections are secure. Make certain no bare wires are exposed outside of wire connectors.*
- Tuck all connections neatly into junction box (not included).
- Fasten channel securely to the wall.
- Install the fixture housing (3) to the channel by sliding the slots in the housing over the screws (4) in the channel and tightening the screws.
- Slide the CCT switch (8) to select from 3000K, 4000K, 5000K.



### 3. Diffuser Assembly

- Slide the diffuser (7) into the installed end, and install the other end with thumbscrew to secure diffuser in place.
- Install one end (5) using the thumbscrew (6).

### 4. Restore power at fuse or circuit breaker box.

**Care and maintenance** – Use dry and clean cloth to wipe the surface of the fixture

**Replacement**- This LED product has no bulb to replace.