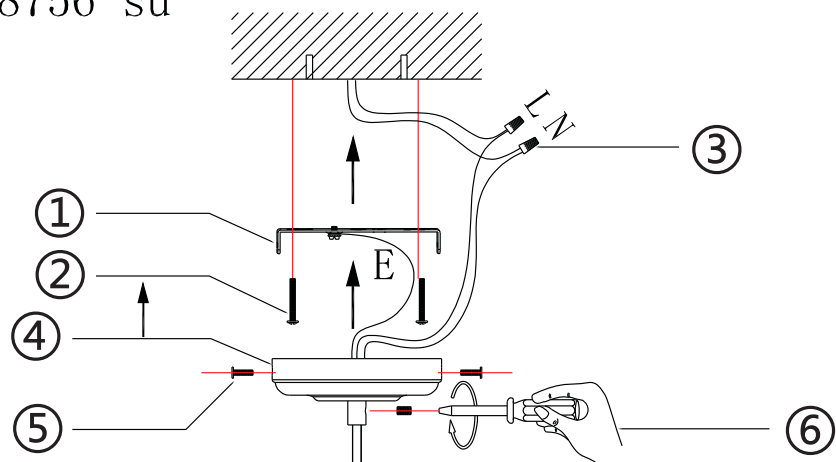
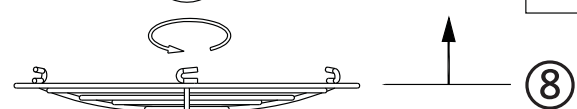
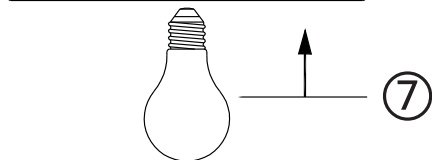
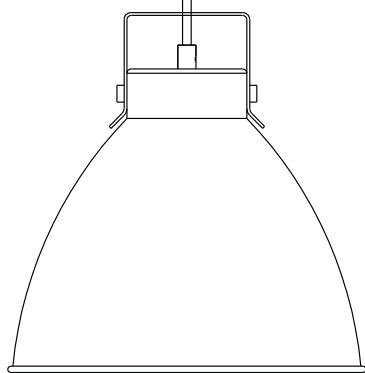


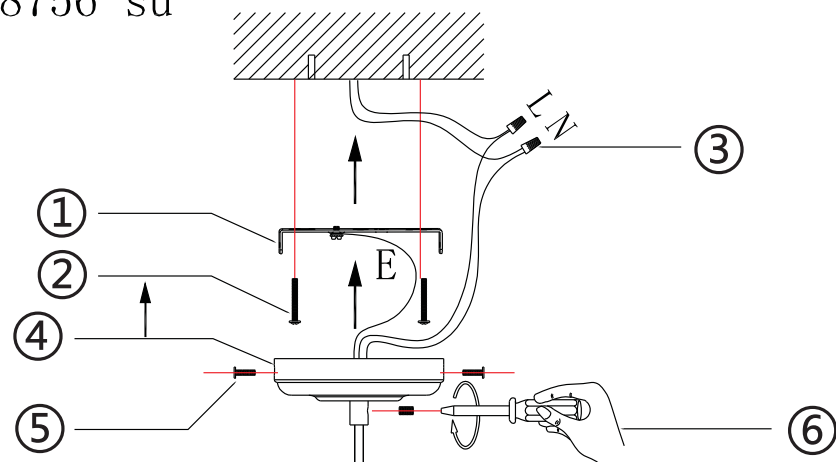
88756-su



- A Fix the hanging pallet ① with the screws ②
- B Connect the wires ③
- C Fix the screws ⑤ on the Ceiling pallet ④
- D Tighten the cord grip ⑥
- E Fix the light bulbs ⑦
- F Fix the metal net ⑧



88756-su



- A Fix the hanging pallet ① with the screws ②
- B Connect the wires ③
- C Fix the screws ⑤ on the Ceiling pallet ④
- D Tighten the cord grip ⑥
- E Fix the light bulbs ⑦
- F Fix the metal net ⑧

